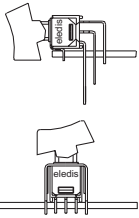




## SERIES 4A

- Sub-miniature Rocker switch



## AGENCY APPROVALS

File N° E195524

## CHARACTERISTICS

- A tiny switch suitable for most miniature equipments.
- High current switching up to 3 Amps @ 120 VAC or 28 VDC.

## SPECIFICATIONS

**Contact Rating:** **S** (silver) - 3A with resistive load @ 120 VAC or 28 VDC - 1.5A with resistive load @ 250 VAC - **A** (gold) or **K\*** (gold/tin-lead) - 0.4 VA max @ 20 VAC or DC max

**Electrical life:** 30,000 cycles at full load

**Contact Resistance:** 20 mΩ max. initial @ 2-4 DVC; 100 mA for both coin silver and gold plated contacts

**Insulation Resistance:** 1000 MΩ min.

**Dielectric Strength:** 1000 VRMS @ sea level

**Operating Temperature:** -30°C to 85°C

## MATERIALS

**Case:** Diallyl phthalate (DAP)

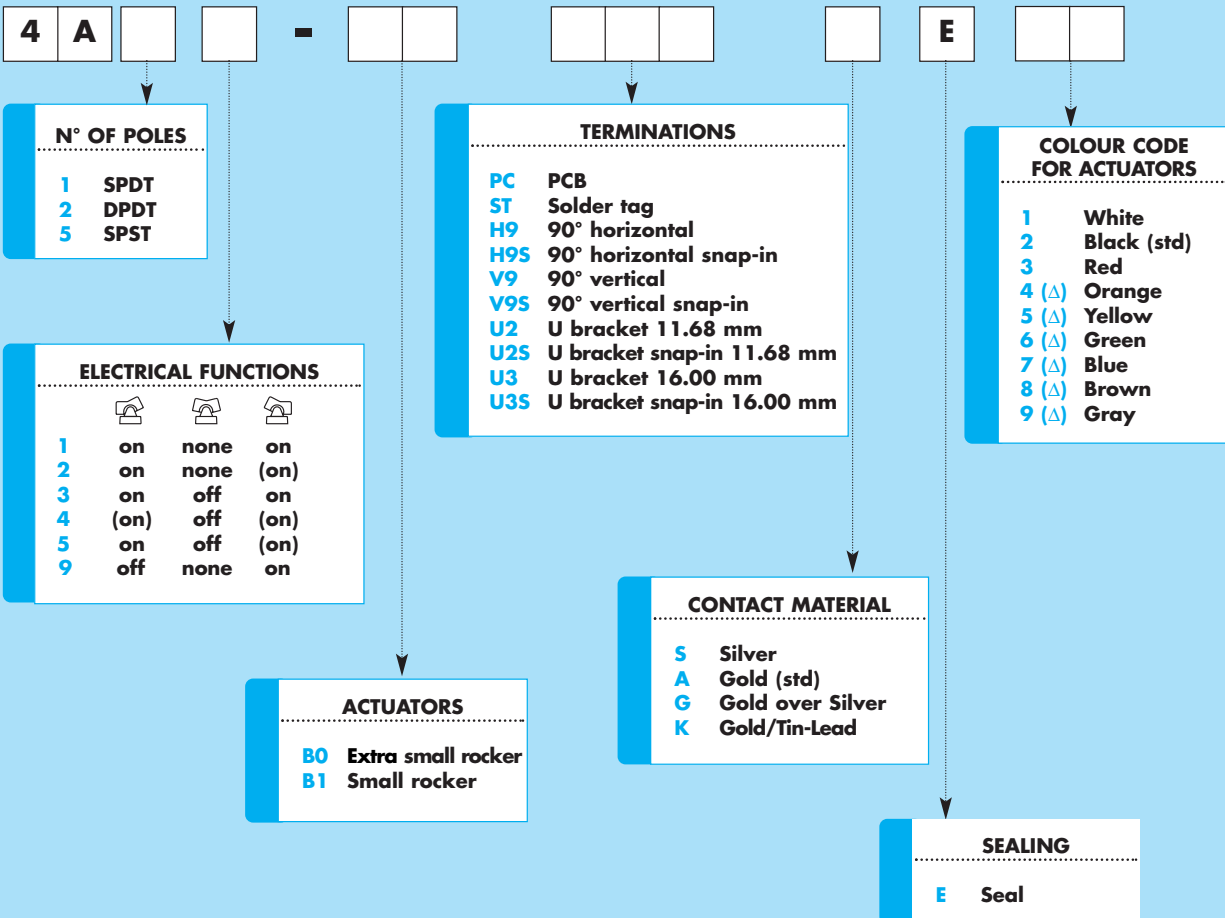
**Rockers:** Nylon

**Bushing:** Brass, nickel plated

**Housing:** Stainless steel

**Terminal/Switch support:** 3/4 brass electrotin plated

## HOW TO ORDER



(Δ) Min qty required

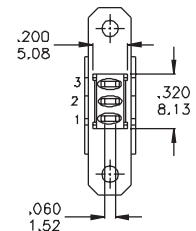
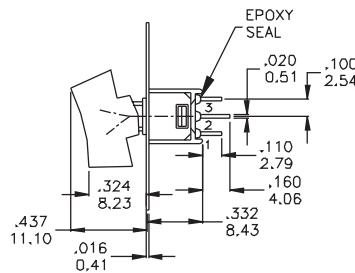
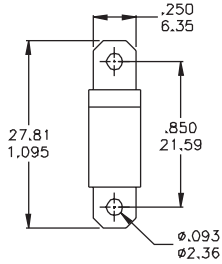


SERIES 4A

ELECTRICAL FUNCTIONS

DIMENSIONS

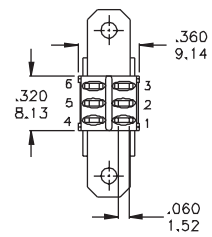
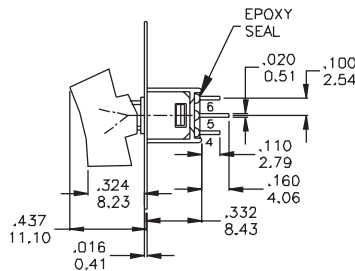
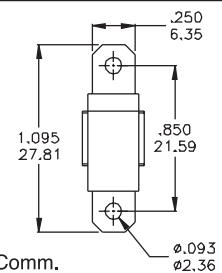
SPDT	Type		
1	on	none	on
2	on	none	(on)
3	on	off	on
4	(on)	off	(on)
5	on	off	(on)
2-3	open	2-1	



2 Comm.  
1 3

Part N° shown: 4A11-B1STSE2

DPDT	Type		
1	on	none	on
2	on	none	(on)
3	on	off	on
2-3,5-6	open	2-1,5-4	



2 Comm. 5 Comm.  
1 3 4 6

Part N° shown: 4A21-B1STSE2

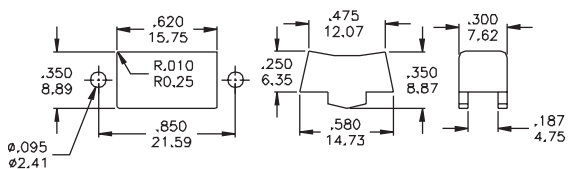
SPST	Type		
59	off	none	on



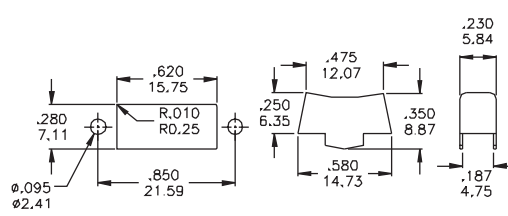
ACTUATORS

ACTUATOR COLOURS OPTIONS

- 1 White
- 2 Black (std)
- 3 Red
- 4 (Δ) Orange
- 5 (Δ) Yellow
- 6 (Δ) Green
- 7 (Δ) Blue
- 8 (Δ) Brown
- 9 (Δ) Gray



B1



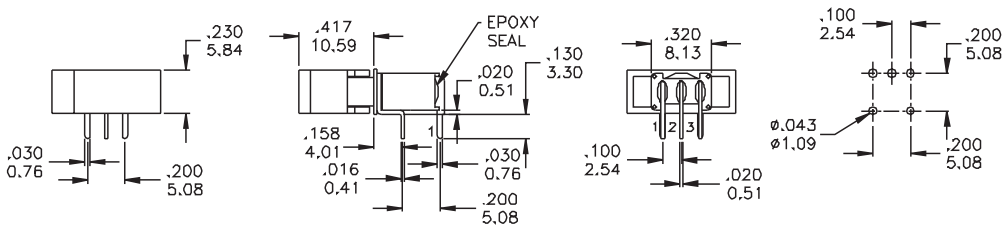
B0

Not for 1 Pole H9 Termination

TERMINATIONS

P.C. LAYOUT

H9 SPDT

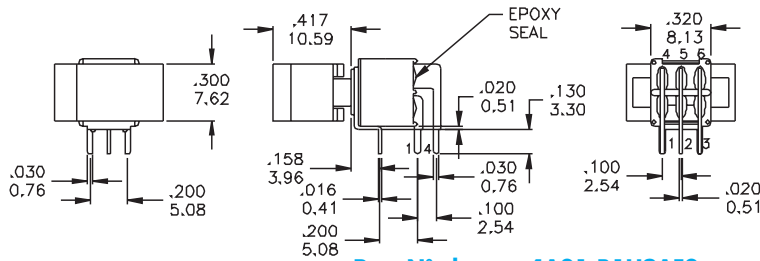


Part N° shown: 4A11-B0H9AE2

## SERIES 4A

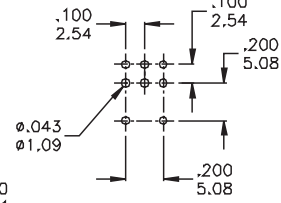
### TERMINATIONS

**H9  
DPDT**

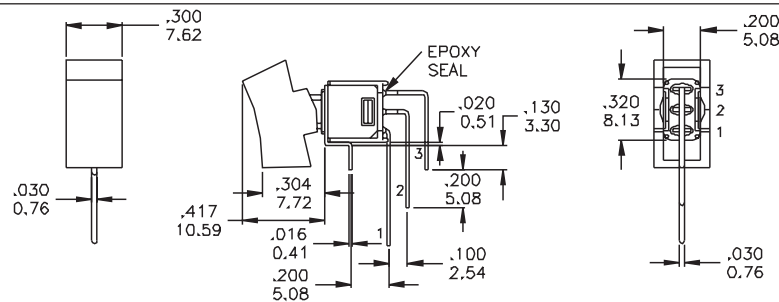


Part N° shown: 4A21-B1H9AE2

#### P.C. LAYOUT

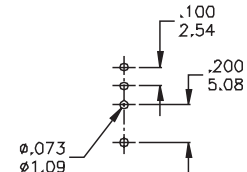


**V9  
SPDT**

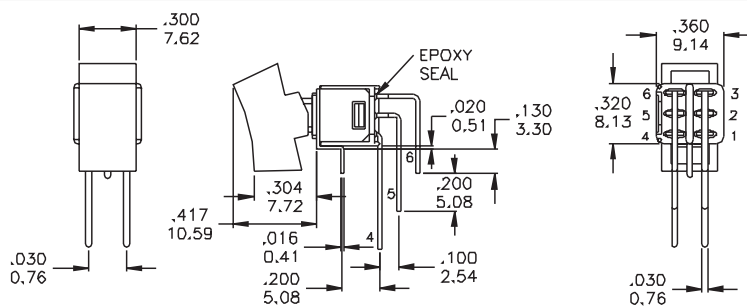


Part N° shown: 4A11-B1V9AE2

#### P.C. LAYOUT

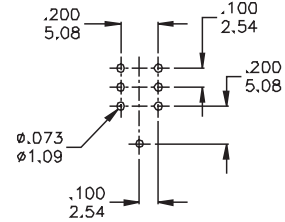


**V9  
DPDT**

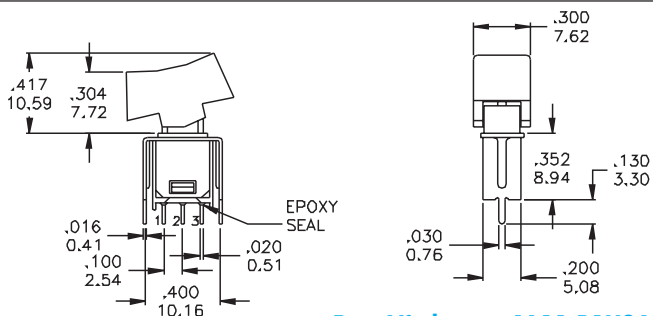


Part N° shown: 4A21-B1V9AE2

#### P.C. LAYOUT

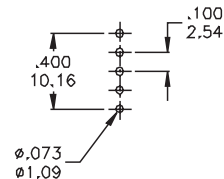


**U2  
SPDT**

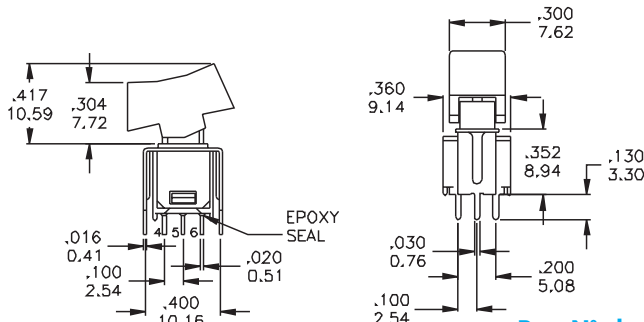


Part N° shown: 4A11-B1U2AE2

#### P.C. LAYOUT

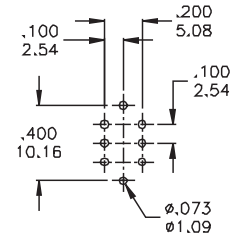


**U2  
DPDT**



Part N° shown: 4A21-B1U2AE2

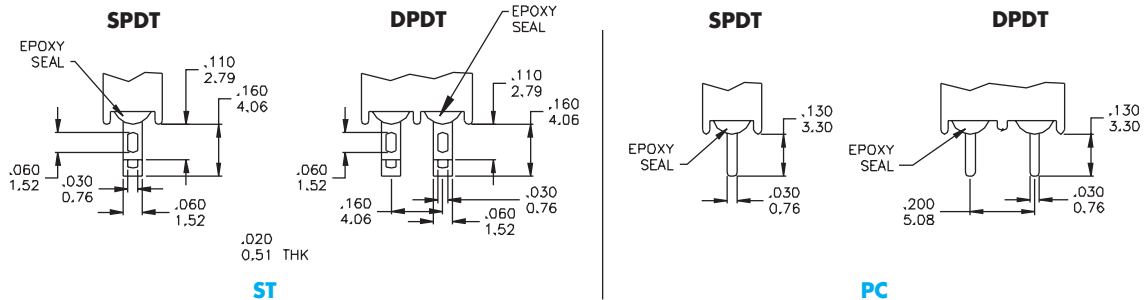
#### P.C. LAYOUT





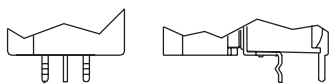
**SERIES 4A**

**TERMINATIONS**



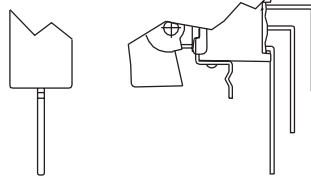
Snap-in Terminal Mounting

**H9S**



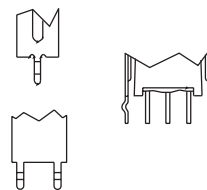
Snap-in Terminal Mounting

**V9S**



Snap-in Terminal Mounting

**U2S  
U3S**



**H9S V9S U2S U3S** have the same P.C mounting but with snap-in bracket

**CONTACT MATERIALS**

**CONTACT RATINGS**

**S** **Moving Contacts:** coin silver, silver plated  
**Terminals:** brass, silver plated  
**Rating:** 3 Amps @ 120 VAC or 28 VDC  
 1.5 Amps @ 250 VAC

**A (std)** **Moving Contacts:** brass with gold plate over nickel plate  
**Terminals:** brass with gold plate over nickel plate  
**Rating:** 0.4 Volts/Amps max @ 20 VAC or DC max

**K** Same as **A**, but with pre-tinned terminals

**G** **Moving Contacts:** coin silver gold plated  
**Terminals:** brass silver plated and gold plated  
**Note:** **G** option used for either "high" (2 Amps @ 250 VAC) or "low" (0.4 Volts/Amps max) contact rating (one exclude the other)

**PACKAGING**

**MARKING (on products)**

**LABELLING (on packaging)**

**Transparent Trays 15x21x4 cm**



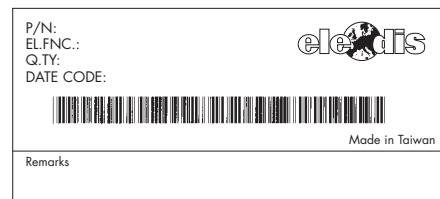
Qty per tray: (ST, PC Terminals)  
 Series 4A1x 500 pcs  
 4A2x 200 pcs

The switches are individually marked with the following information:

- Side 1** TRADE MARK  
SERIES AND MODEL  
DATE CODE
- Side 2** RATING  
CONTACTS

Note: Not all information may be available on some products.

The label on each tray gives full information on the products contained.



A Bar code indicating Model, Quantity, Date Code enables easy traceability.