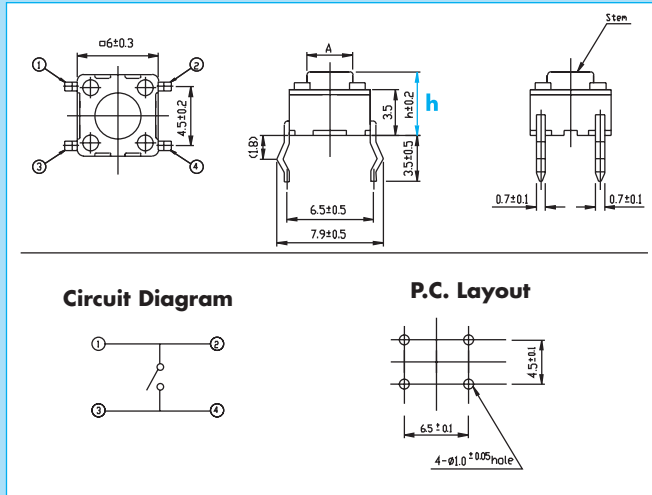


MANUAL INSERTION (Coplanar Mount)

SERIES EDA

- Straight Snap-in PC Terminals
- 6x6 mm size

E D A



Height from PCB (h)

| | |
|----------|----------------|
| A | 4.3 mm |
| B | 5.0 mm |
| C | 7.0 mm |
| D | 9.5 mm |
| E | 13.0 mm |
| F | 17.0 mm |

Operating Force Life (Cycles)

| | | |
|----------|-----------------|-------------------------|
| 1 | 100±50gf | 1×10⁵ |
| 2 | 160±50gf | 1×10⁵ |
| 3 | 260±70gf | 1×10⁵ |

SPECIFICATIONS

Rating: 50mA - 12VDC
Contact resistance: 100 mΩ max
Bounce: 5msec max
Return force: 40 gf min

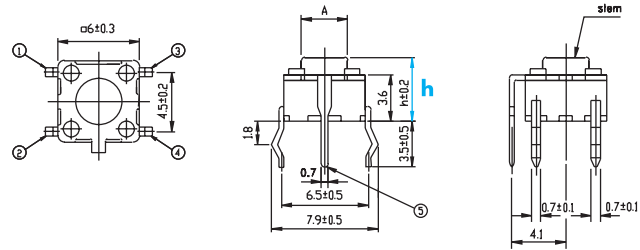
PACKAGING

Qty: 2000/Bag
Type of packaging: Loose

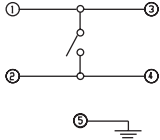
SERIES EDP

- Snap-in PC Terminals with ground
- 6x6 mm size

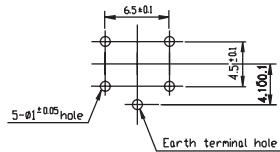
E D P



Circuit Diagram



P.C. Layout

Height from
PCB (h)

| | |
|---|--------|
| A | 4.3 mm |
| B | 5.0 mm |
| C | 7.0 mm |
| D | 9.5 mm |
| E | 13 mm |
| F | 17 mm |
| G | 7.3 mm |

Operating Force Life (Cycles)

| | | |
|---|----------|-------------------|
| 1 | 100±50gf | 1×10 ⁵ |
| 2 | 160±50gf | 1×10 ⁵ |
| 3 | 260±70gf | 1×10 ⁵ |

SPECIFICATIONS

Rating: 50mA - 12VDC
Contact resistance: 100 mΩ max
Bounce: 5msec max
Return force: 40 gf min

PACKAGING

Qty: 2000/Bag
Type of packaging: Loose

CAP + COLOURS OPTIONS

Caps

EDSC-61-x Square

EDSC-62-x Round

Colours

K Black

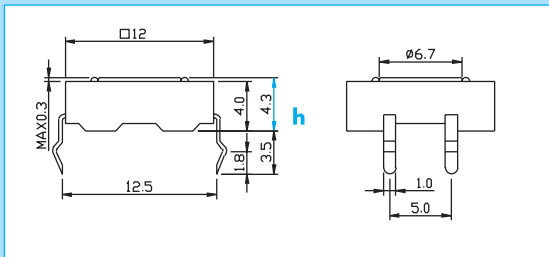
R Red

MANUAL INSERTION (Coplanar Mount)

SERIES EDQ

- Straight PC Terminals
- 12x12 mm size

E D Q



Height from PCB (h)

- A** 4.3 mm
- B** 7.5 mm



Operating Force Life (Cycles)

- | | | |
|----------|----------|-------------------|
| 1 | 100±50gf | 1×10 ⁵ |
| 2 | 160±50gf | 5×10 ⁴ |
| 3 | 260±70gf | 3×10 ⁴ |

SPECIFICATIONS

Rating: 50mA - 12VDC
Contact resistance: 100 mΩ max
Bounce: 5msec max
Return force: 40 gf min

PACKAGING

Qty: 500/Bag
Type of packaging: Loose

P.C. Layout

