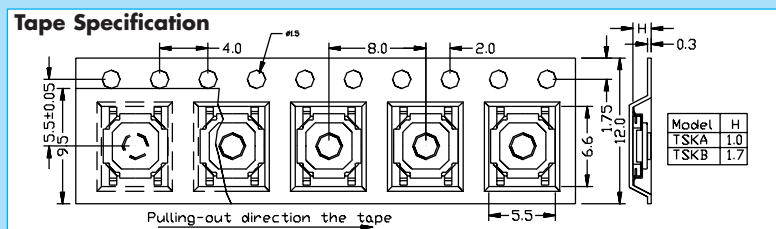
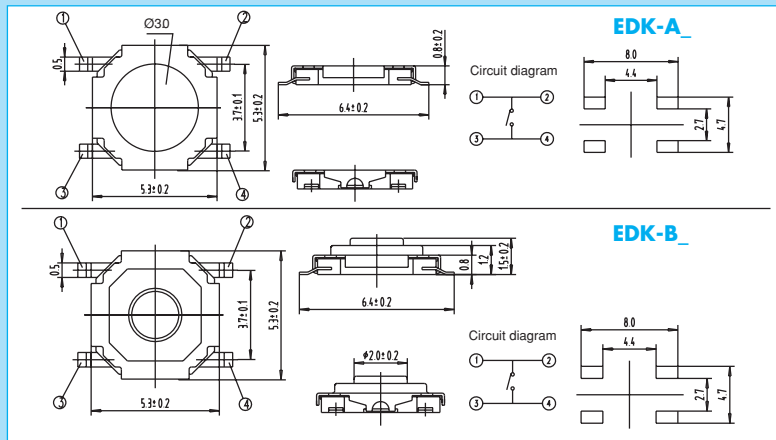


- Thinnest Body .8 mm
- High Temp Plastic
- Gull Wing Terminals
- 5.2x5.2 mm size

E D K



Operating Force	Life (Cycles)
2 160±50gf	3×10 ⁴
3 260±70gf	1×10 ⁴

Height from PCB (h)	Qty Reel
A 0.8 mm	5000
B 1.5 mm	4000

SPECIFICATIONS

Rating: 50mA - 12VDC
Contact resistance: 100 mΩ max
Bounce: 5msec max
Return force: 40 gf min