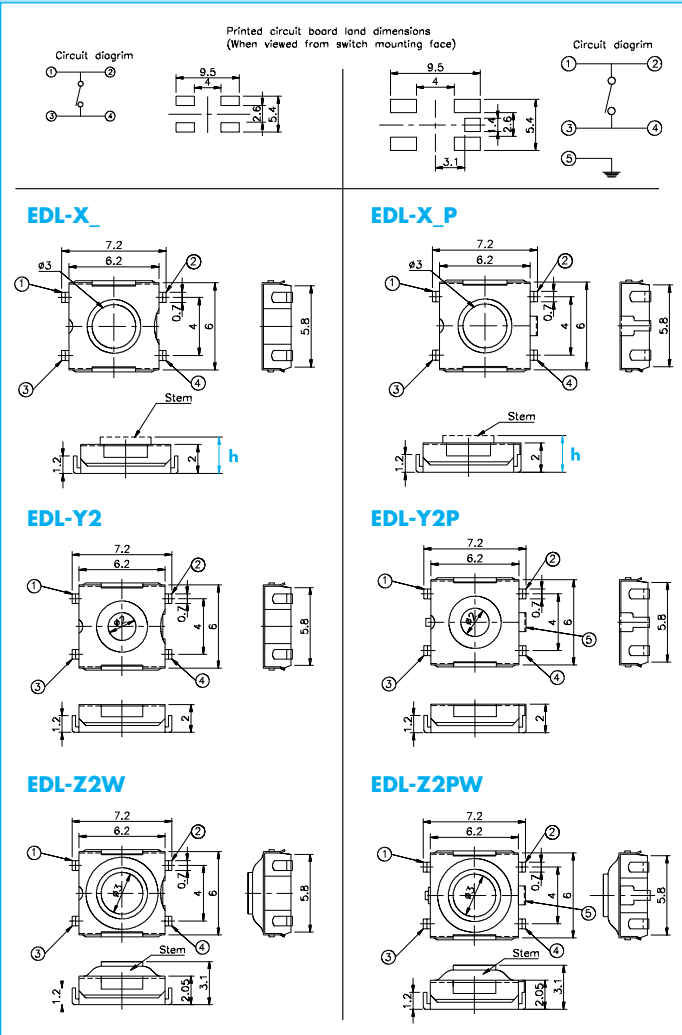


AUTOMATIC INSERT (SMT Tape & Reel)

SERIES EDL

- Thin Body 2.0 mm
- High Temp Plastic
- Washable Models
- 6x6 mm size



Height from PCB (h)		Operating Force	Life (Cycles)
X	2.0 mm	1 100±50gf	5x10 ⁴
Y	2.5 mm	2 160±50gf	3x10 ⁴
Z	3.1 mm	3 260±70gf	3x10 ⁴

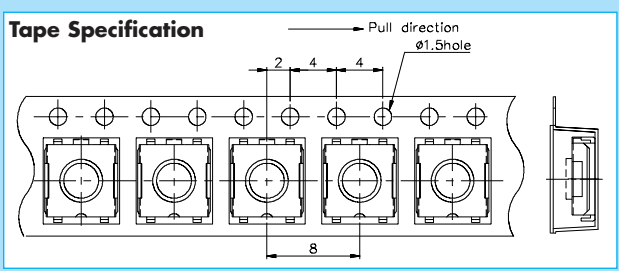
Ground Terminal	
No	
P Yes	

Washable	
No	
W* Yes	

* Note: Washable option available only with 160gf operating force. Life is reduced to 10⁴ Cycles

SPECIFICATIONS	
Rating:	50mA - 12VDC
Contact resistance:	100 mΩ max
Bounce:	5msec max
Return force:	40 gf min

PACKAGING	
Qty:	2000/Reel
Type of packaging:	Tape & Reel



TACT SWITCHES