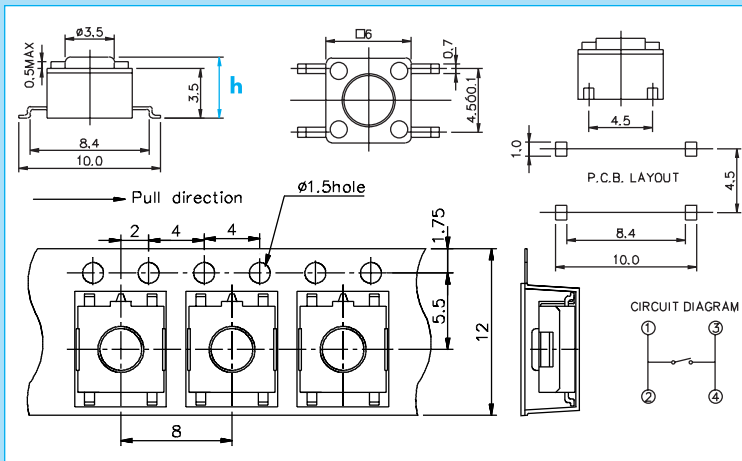


AUTOMATIC INSERT (SMT Tape & Reel)

SERIES EDS

- High Temp Plastic
- Gull Wing Terminals
- 6x6 mm size

E D S



Operating Force **Life (Cycles)**

1	100±50gf	1x10 ⁵
2	160±50gf	1x10 ⁵
3	260±70gf	1x10 ⁵

Height from PCB (h) **Qty Reel**

A	4.3 mm	1000
B	5.0 mm	1000
C	7.0 mm	800
D	9.5 mm	500
I	8.5 mm	500
G	7.3 mm	750

SPECIFICATIONS

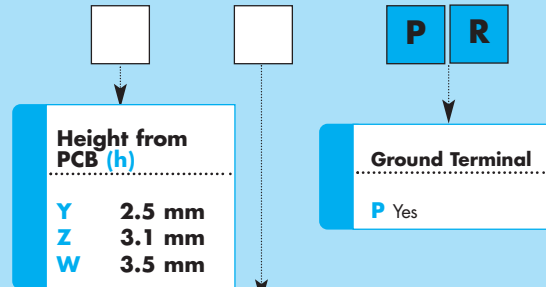
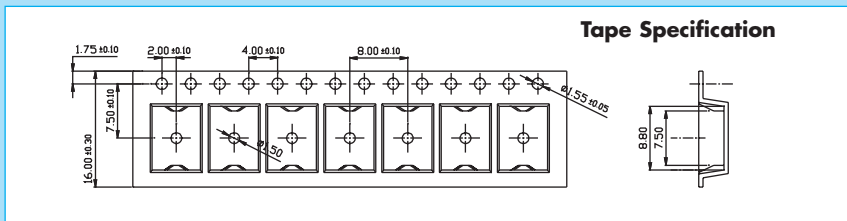
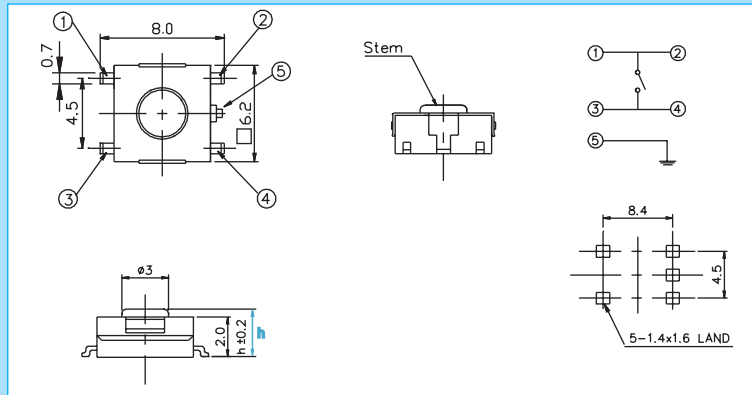
Rating: 50mA - 12VDC
Contact resistance: 100 mΩ max
Bounce: 5msec max
Return force: 40 gf min

AUTOMATIC INSERT (SMT Tape & Reel)

SERIES EDZ-PR

- Thin Body 2.5 mm
- High Temp Plastic
- Gull Wing Terminals
- 6x6 mm size

E D Z -



	Operating Force	Life (Cycles)
1	100±50gf	1x10 ⁵
2	160±50gf	1x10 ⁵
3	260±70gf	1x10 ⁵

SPECIFICATIONS

Rating: 50mA - 12VDC
Contact resistance: 100 mΩ max
Bounce: 5msec max
Return force: 40 gf min

PACKAGING

Qty: 2500/Reel
Type of packaging: Tape & Reel