

**AUTOMATIC INSERT  
(SMT Tape & Reel)**

**SERIES EDU-S**

- Thin Body 2.5 mm
- High Temp Plastic
- Gull Wing Terminals
- 6x3.5 mm size

**E D U**



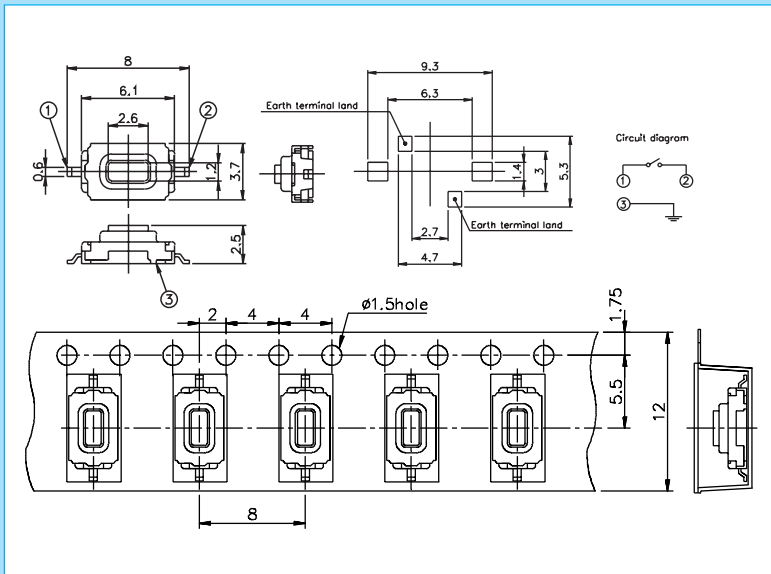
-



-

**S**

**R**



**Height from  
PCB (h)**

**Y 2.5 mm**

**Operating Force**    **Life (Cycles)**

<b>2</b> 160±50gf	2x10 <sup>5</sup>
<b>3</b> 260±70gf	1x10 <sup>5</sup>

**RUBBER**

**SPECIFICATIONS**

**Rating:** 50mA - 12VDC  
**Contact resistance:** 100 mΩ max  
**Bounce:** 5msec max  
**Return force:** 40 gf min

**PACKAGING**

**Qty:** 3000/Reel  
**Type of packaging:** Tape & Reel