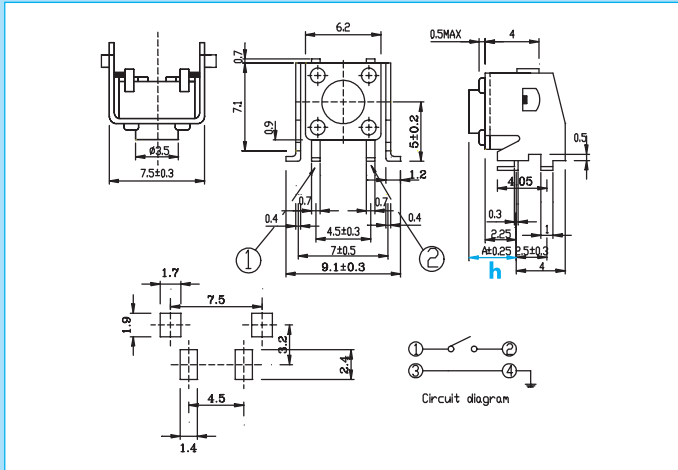


- SMT Terminals
- Vertical Bracket
- 6x6 mm size



Height from PCB (h)	
A	3.15 mm
B	3.85 mm
C	5.85 mm

Operating Force	Life (Cycles)
1 100±50gf	5x10 ⁵
2 160±50gf	3x10 ⁵
3 260±70gf	1x10 ⁵

SPECIFICATIONS

Rating: 50mA - 12VDC
Contact resistance: 100 mΩ max
Bounce: 5msec max
Return force: 40 gf min

PACKAGING

Qty: 500/Bag
Type of packaging: Roll