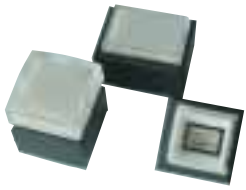


## SERIES KD



## CHARACTERISTICS

- Microswitch Change Over contact
- 1 or 2 Pole models
- Multichip Multicolour LED
- Available w/o Cap
- Positive Tactile feel

## SPECIFICATIONS

**Rating:** (see contact Material option)  
**Contact Resistance:** 50 mΩ max initial (for S)  
**Insulation Resistance:** 100 MΩ min @ 500V  
**Temperature:** Operating -20°C to +50°C  
**Operating Life:** 10.000 operations  
**Operating Force:** 200 ±100 gf (SPDT)

## HOW TO ORDER



### CAP TYPE

**ML** Flat Cap  
**MH** Modelled Cap

### ELECTRICAL FUNCTION

**11** SPDT on (on)  
**21** DPDT on on

### MULTICHIP LED COLOR

<b>RR</b>	<b>GG</b>	<b>YY</b>
<b>RG</b>	<b>GR</b>	<b>YR</b>
<b>RY</b>	<b>GY</b>	<b>YG</b>

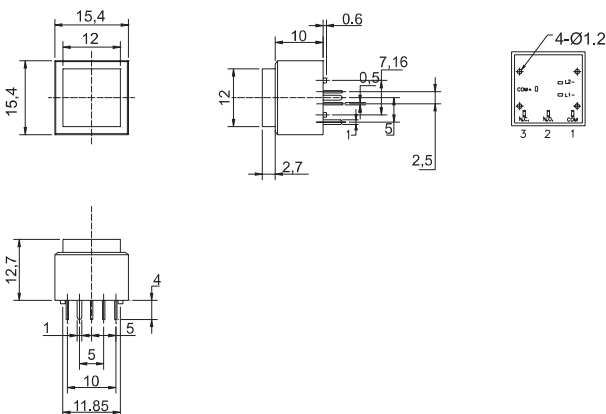
### CONTACT MATERIAL

**S** Silver  
**A** Gold

## DIMENSIONS

### ML

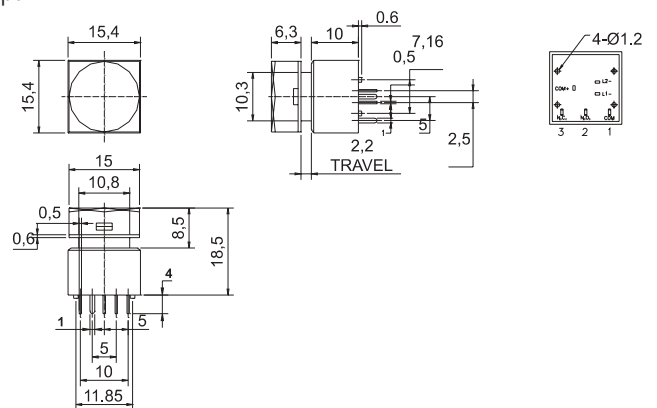
Type



**Part N° shown: KDMH11- PNxx**  
 (define x)

### MH

Type



**Part N° shown: KDML11- PNxx**  
 (define x)

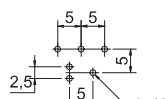
### SW Schematic



### LED Schematic



### P.C.B. Layout



## CONTACT MATERIAL OPTION

**S:** **End contacts:** coin silver, silver plated.  
**Center contacts & all Terminals:** Brass, silver plated.  
**Rating:** 25 VDC, 500 mA.

**A:** **Contacts & Terminals:** Brass, with gold plated over nickel plated.  
**Rating:** 28 VDC, 100 mA.