

SERIES MR5



CHARACTERISTICS

- Ultra Miniature Power Switch
- Agency approvals (applied for)
- SPST

SPECIFICATIONS

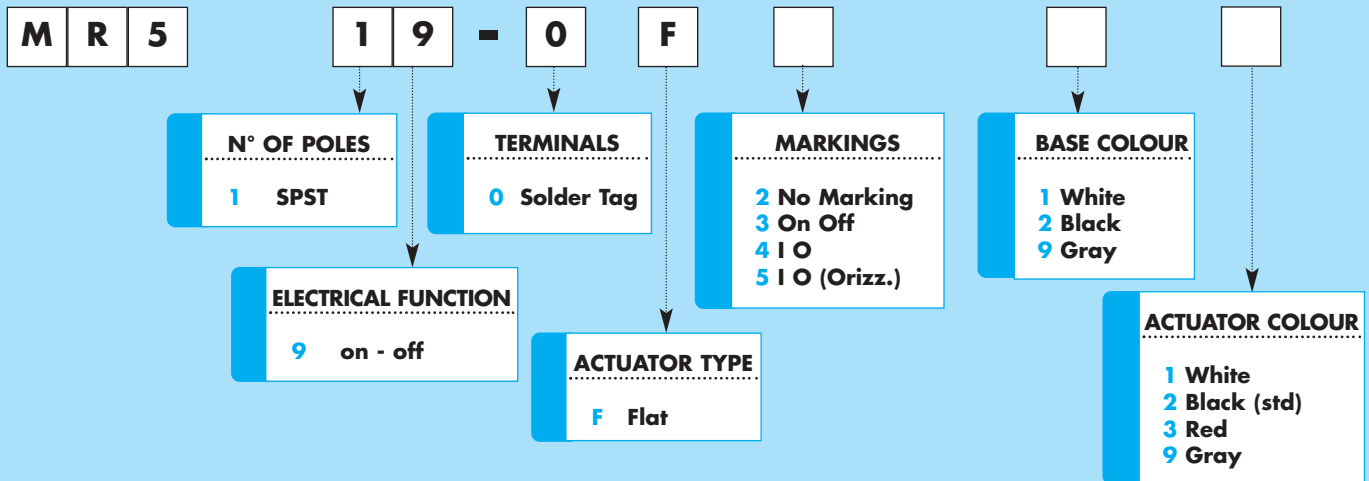
Rating: 6A @ 125VAC, 3A @ 250VAC (UL), 3A @ 250VAC (CQC), 3A @ 250VAC ~µT85 (VDE)
Contact Resistance: 20m Ω max initial
Insulation Resistance: 100MΩ min @ 500V
Temperature: Operating 0°C to + 85°C
Operating Life: 10.000 operations

MATERIALS

Base: Nylon 66 UL 94V-2 min
Actuator: PC UL 94V-2 min
Spring: Piano Wire
Contact Arm: Silver Alloy
Terminals: Silver Alloy

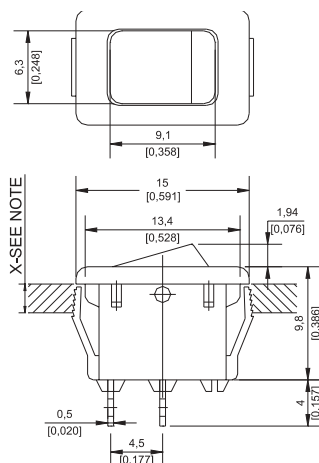


HOW TO ORDER

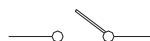


DIMENSIONS

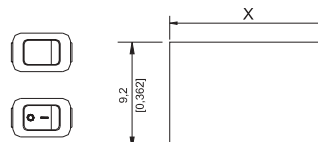
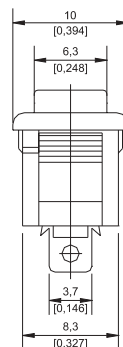
Single Pole



Schematic



ON-OFF



Panel cut out

X	Cutout Dimension	Panel Thickness
A	.535/13.6 ^{+0.00} _{-0.10}	0.75~1.25
B	.539/13.7 ^{+0.00} _{-0.10}	1.25~2.00
C	.543/13.8 ^{+0.00} _{-0.10}	2.00~2.50

Part N° shown: **MR519-0F522**
(define x)