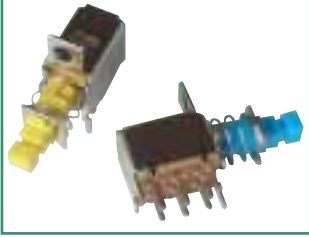


## SERIES PA



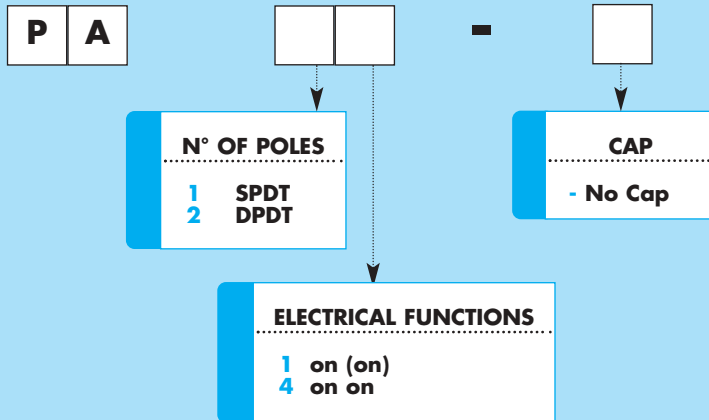
## CHARACTERISTICS

- Mom or Push-Push Operation
- Side Actuated
- SPDT or DPDT
- Add-on front Cap
- 2.5 mm Travel with Over-travel

## SPECIFICATIONS

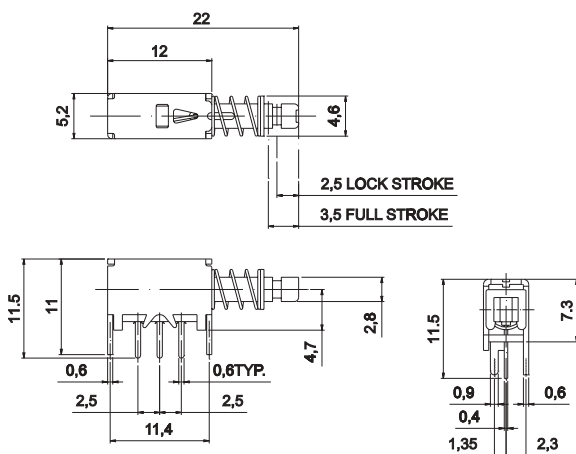
**Rating:** 300 mA max @ 30VDC  
**Contact Resistance:** 20 mΩ max initial  
**Insulation Resistance:** 100 MΩ min @ 500V  
**Temperature:** Operating -10°C to +60°C  
**Operating Life:** 10.000 operations  
**Operating Force:** 200±100gf SPDT, 250±100gf DPDT

## HOW TO ORDER

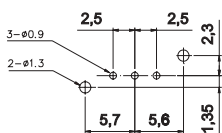


## DIMENSIONS

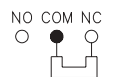
### Single Pole



Part N° shown: PA1x  
(define x)

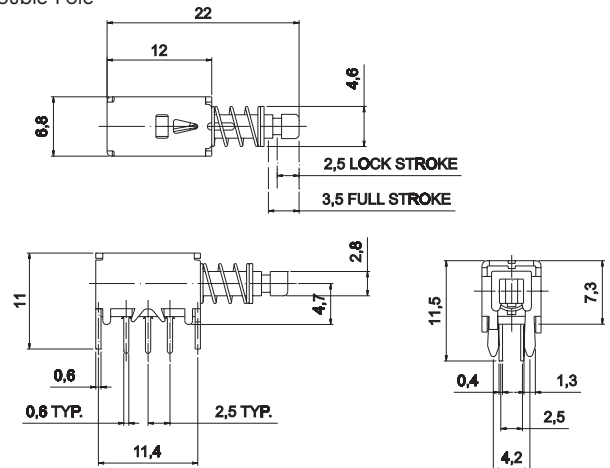


P.C.B. layout

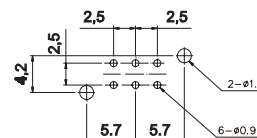


Schematic

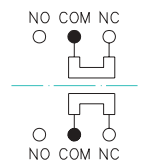
### Double Pole



Part N° shown: PA2x  
(define x)



P.C.B. layout



Schematic