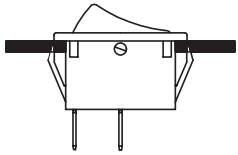


## SERIES R4

- Multifunction Power Switches
- 10 to 15 Amps



Single Pole

## AGENCY APPROVALS



## CHARACTERISTICS

- SPST & SPDT Rocker Switch
- High Power Rating

## MATERIALS

**Housing:** Nylon  
**Rocker:** PC or Nylon  
**Contacts:** Silver Alloy

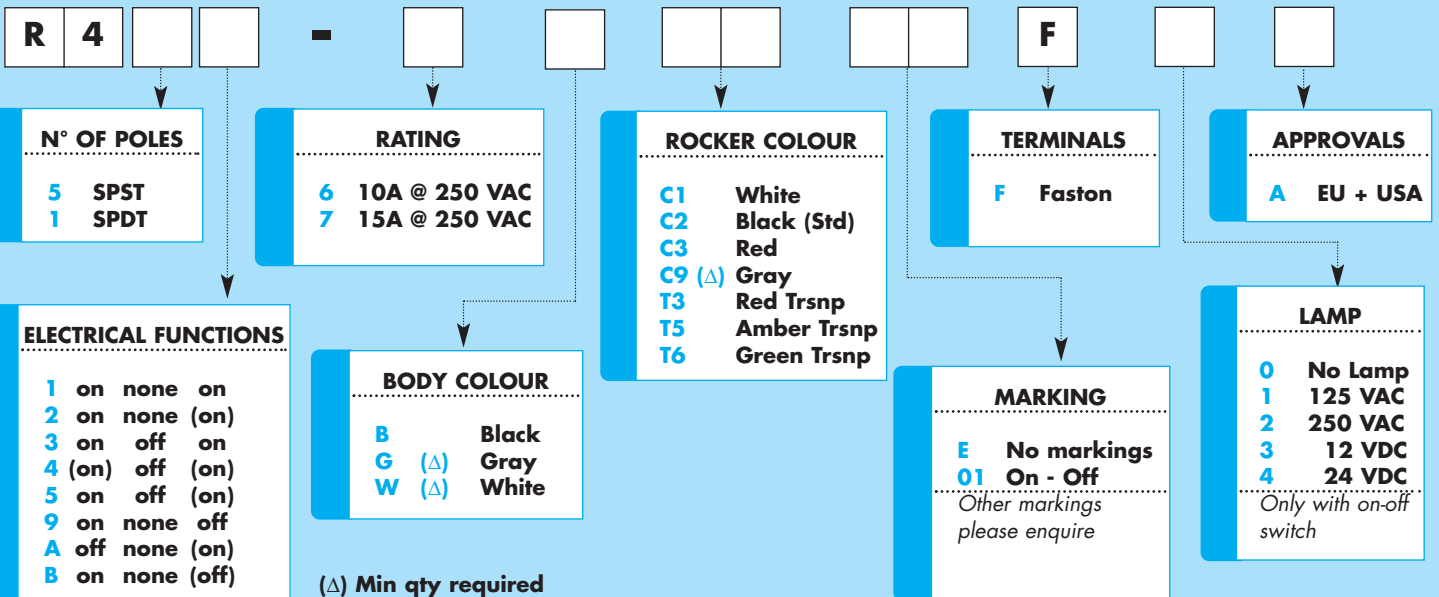
## SPECIFICATIONS

**Contact Resistance:** <50 mohm  
**Insulation Resistance:** 10<sup>9</sup> Ohms min (5000 Volts across open contacts)  
**Electric Life:** 10.000 make & brake cycles @ full load  
**Mechanical Life:** 30.000 make & brake cycles

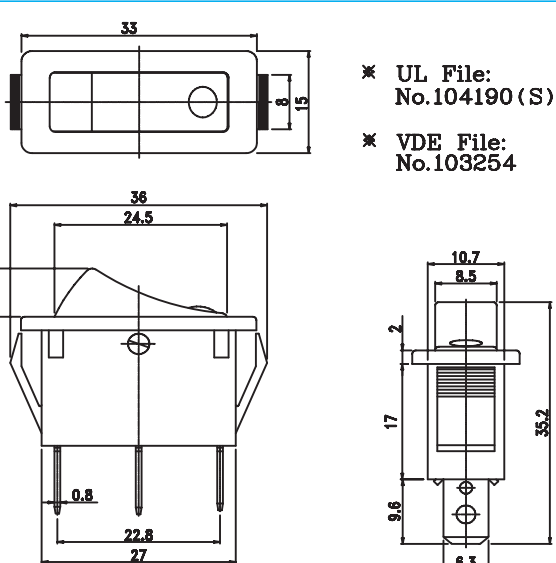
## TEST SPECIFICATIONS

**High Volt Resistance:** >1500 Volts for 1 Min  
**Ambient temperature:** Terminal side -20, +85°C, Actuating side -20, +55°C  
**Storage temperature:** -30, +80°C  
**Humidity:** Max 85°C  
**Actuating Force:** 4 - 8 N (depending on switch function)  
**Flammability:** UL94 V-2

## HOW TO ORDER

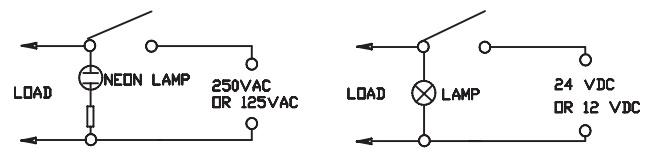


POWER SWITCHES



## TRANSPARENT DOT FOR LIGHTED OPTION

### Circuits for switch R459 with lamp



### Panel cut out

Z	Y	X
0.70~1.25	11.10~11.20	29.60~29.70
1.25~2.00	11.10~11.20	30.10~30.20
2.00~3.00	11.10~11.20	30.45~30.55

