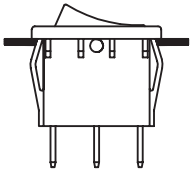




SERIES RA

- Multifunction Power Switches
- 2 to 8 Amps



Single Pole

AGENCY APPROVALS



CHARACTERISTICS

- SPST & SPDT Rocker Switches
- Miniature 15 x 21 mm Bezel
- Snap-in Mounting or PCB
- LED and Coloured Rockers

MATERIALS

Housing: PA 66
Rocker: PC
Contacts: Silver Alloy
Terminals: Brass, Silver plated

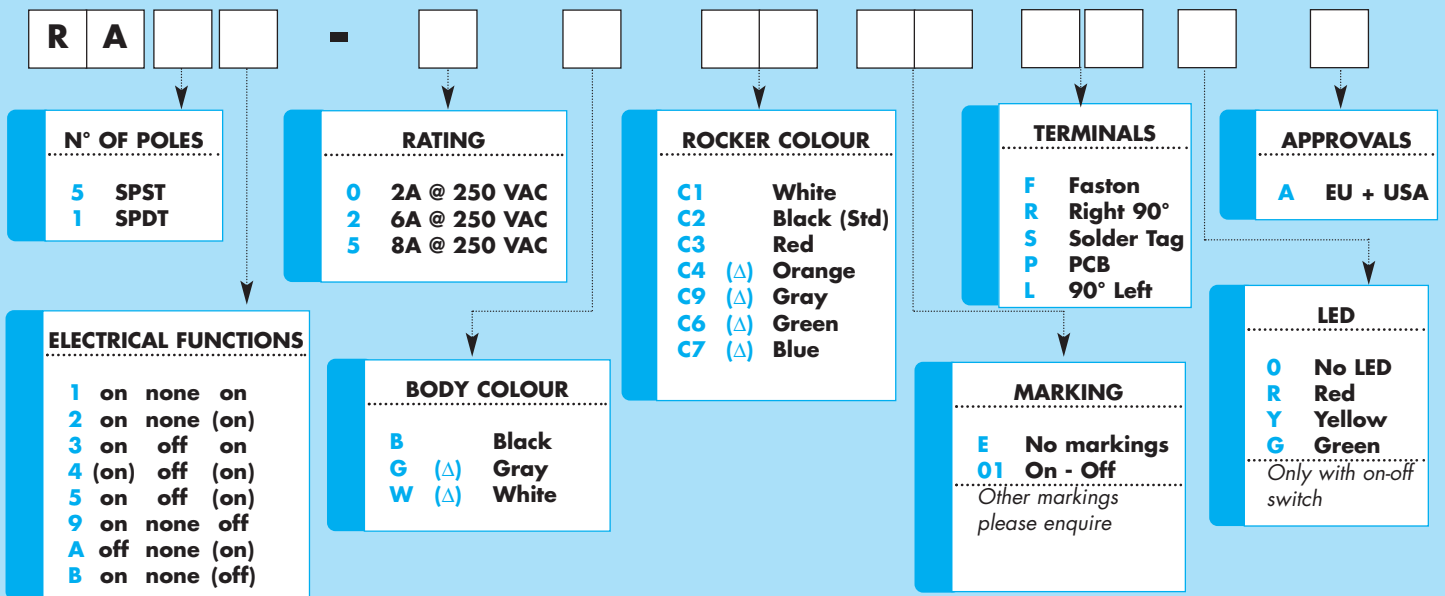
SPECIFICATIONS

Contact Rating: 2A 250 VAC, 6A 250 VAC, 8A 250 VAC
Contact Resistance: <20 mohm
Insulation Resistance: 10⁹ Ohms min (5000 Volts across open contacts)
Electric Life: 10.000 make & brake cycles @ full load
Mechanical Life: 30.000 make & brake cycles

TEST SPECIFICATIONS

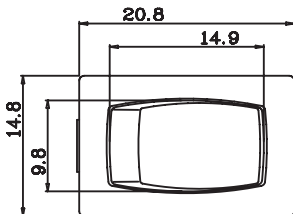
High Volt Resistance: >1500 Volts for 1 Min
Ambient temperature: Terminal side -20, +85°C, Actuating side -20, +55°C
Storage temperature: -30, +80°C
Humidity: Max 85°C
Actuating Force: 4 - 8 N (depending on switch function)
Flammability: UL94 V-2

HOW TO ORDER

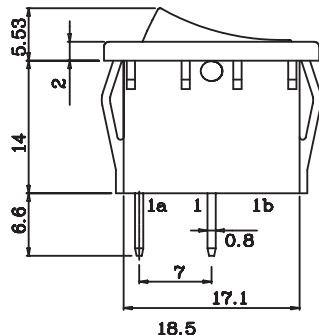
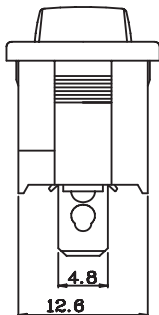


(Δ) Min qty required

POWER SWITCHES



- * UL File: No.104190 (S)
- * CSA File: No.081268X0000
- * VDE File: No.70472



Panel cut out

Z	Y	X
0.70~1.25	12.80~12.90	19.20~19.30
1.25~2.00	12.80~12.90	19.30~19.40
2.00~3.00	12.80~12.90	19.50~19.60

