

## SERIES RTL

**Multi-shaft miniature Rotary Switch**



## CHARACTERISTICS

- Exchangeable Shafts
- Less than 20 mm Dia
- Excellent Detent
- Mechanical Stops
- Up to 12 Positios & up to 6 Poles

## SPECIFICATIONS

**Rating:** Switching 130 mA @ 150VAC max  
**Contact Resistance:** 25 mΩ max  
**Insulation Resistance:** 100 MΩ min @ 500 VDC  
**Temperature:** Operating +10°C to +60°C  
**Operating Life:** 15.000 operations  
**Operating Torque:** 1000 gf/cm max  
**Soldering:** 250°C for 5 secs

## PACKAGING

**Qty tray:** 100  
**Type of Packaging:** Tray

## HOW TO ORDER

**R T L**       -          

POLE / POSITIONS					
102	1P 2 Pos	304	3P 4 Pos		
112	1P 12 Pos	313	3P No stops		
113	1P No stops	402	4P 2 Pos		
202	2P 2 Pos	403	4P 3 Pos		
206	2P 6 Pos	413	4P No stops		
213	2P No stops	602	6P 2 Pos		
302	3P 2 Pos	613	6P No stops		

**SHAFTS**

**A** Plastic Shaft  
**B** No Shaft  
**C** Metal Shaft

**SHAFT LENGTH**

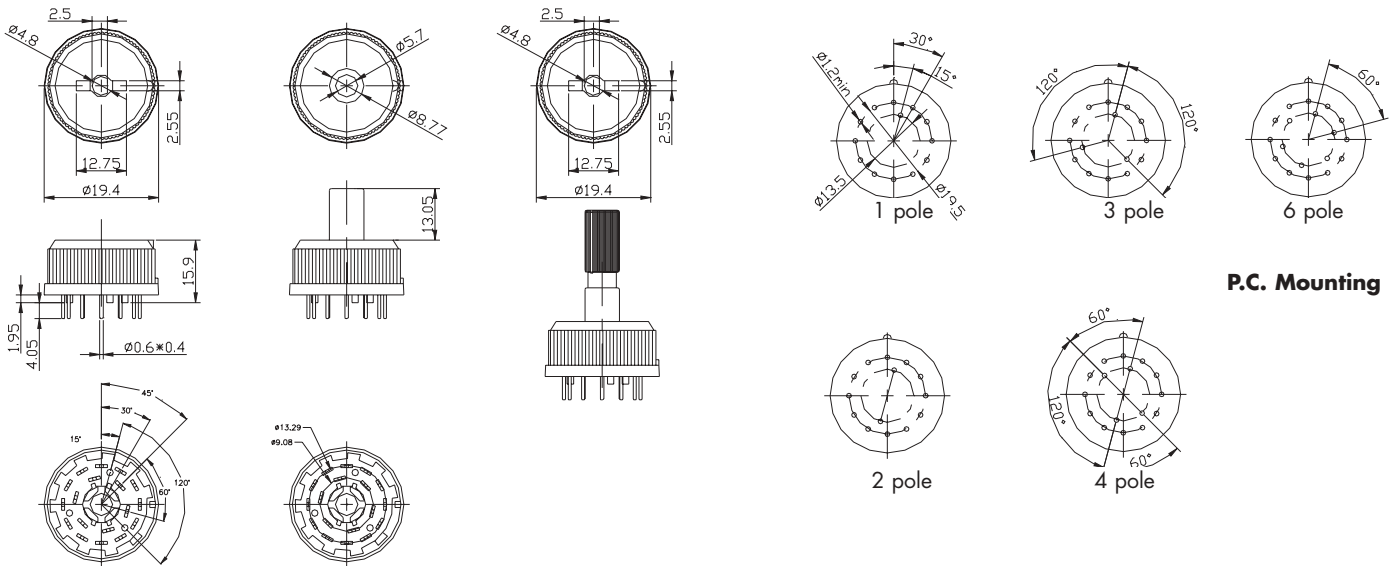
**15** 15 mm  
**20** 20 mm (Std)  
**25** 25 mm

*Applicable only on metal shafts*

**SWITCH MODE**

**S** Shorting  
**N** No Shorting

## DIMENSIONS



Part N°: RTL1xx-BN    Part N°: RTL1xx-AN    Part N°: RTL1xx-CN

## SHAFT TYPES

