

## SERIES RTS

**Miniature Rotary Switch  
0.5A, 30VDC**



## CHARACTERISTICS

- 16 mm Dia
- Excellent Detent
- 1 & 2 Pole models
- PCB Mounting

## SPECIFICATIONS

**Rating:** Switching 0.5A @ 30VDC max  
**Contact Resistance:** 25 mΩ max  
**Insulation Resistance:** 100 MΩ min @ 500 VDC  
**Temperature:** Operating -10°C to +60°C  
**Operating Life:** 1.000 operations  
**Operating Torque:** 600 - 1000 gf

## HOW TO ORDER

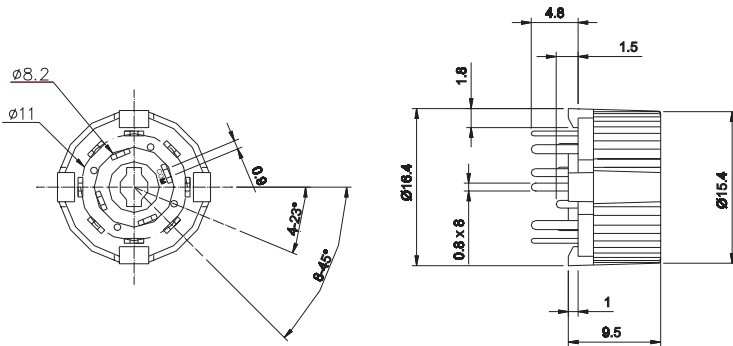
**R T S**

□ □ □

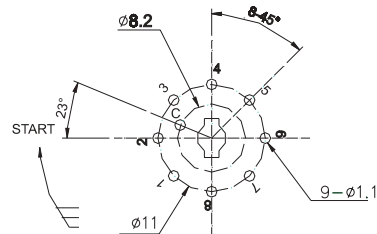
### POLE / POSITIONS

- 102** 1P 2 Pos
- 103** 1P 3 Pos
- 106** 1P 6 Pos
- 108** 1P 8 Pos
- 202** 2P 2 Pos
- 203** 2P 3 Pos
- 204** 2P 4 Pos

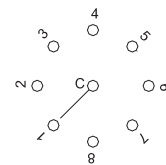
## DIMENSIONS



### P.C.B. layout



### Schematic



Part N° shown: RTS 108