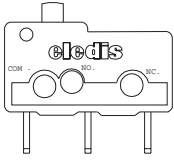




## SERIES SS

• Micro switches, single pole:



## AGENCY APPROVALS

**RU** File N° E195524  
5A 125VAC, 3A 250VAC  
**C RU** File N° E195524

## SPECIFICATIONS

**Contact Resistance:** 30 mΩ max. initial  
**Insulation Resistance:** 100 MΩ min. @ 500VDC  
**Electrical life:** 200,000 operations min. full load  
**Mechanical life:** 10,000,000 operations min.

## MATERIALS

**Housing:** PBT  
**Contacts:** AgCdO  
**Terminal:** COPPER  
**Spring:** SWPB

## TEST SPECIFICATIONS

**Dielectric strength:** between terminals of same polarity AC 1,000V (50/60Hz 1 min.).  
Between each terminal and non-current-carrying rind parts AC 2000V (50/60Hz 1 min.)  
**Ambient temperature:** -20~+85°C

## HOW TO ORDER

**S S**

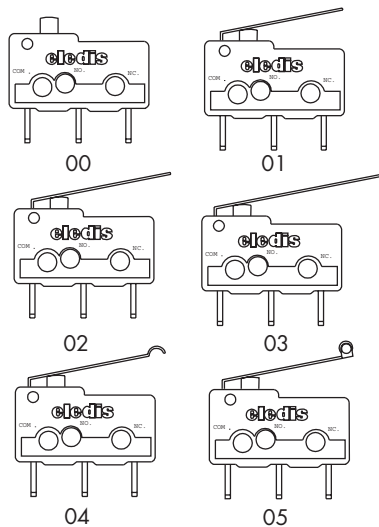
**SERIES**

**0 5**

**RATING**

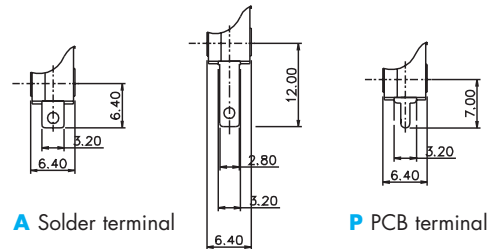
**05 3A 250VAC  
5A 125VAC**

## ACTUATOR TYPE



**Terminal**

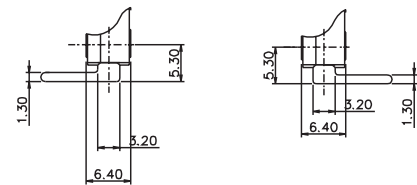
## TERMINAL



**A** Solder terminal

**P** PCB terminal

**C2** Quick connect terminal



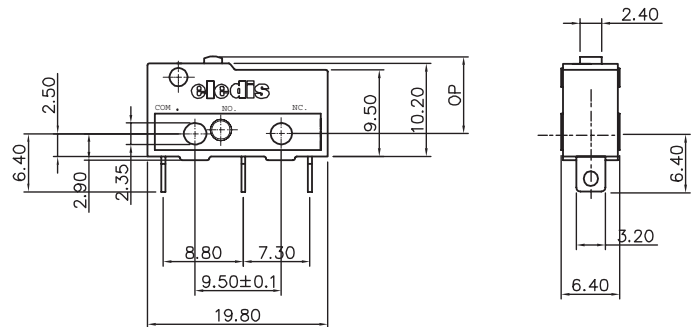
**CL** PCB terminal

**CR** PCB terminal

## SERIES SS

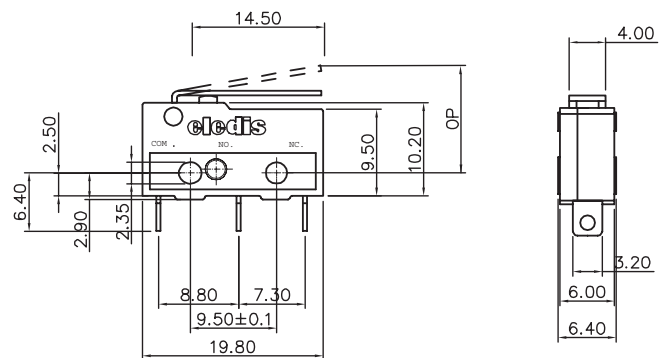
### SS □□00A

<b>Operating Force (OF) max:</b>	150g
<b>Releasing Force (RF) min:</b>	55g
<b>Pretravel (PT) max:</b>	0.6 mm
<b>Overtravel (OT) min:</b>	0.6 mm
<b>Movement Differential (MD) max:</b>	0.2 mm
<b>Free Position (FP) max:</b>	9.2 mm
<b>Operating position (OP):</b>	8.4±0.5 mm



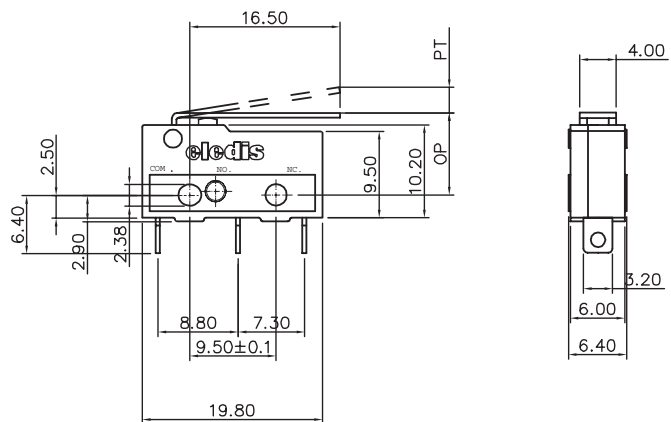
### SS □□01A

<b>Operating Force (OF) max:</b>	45g
<b>Releasing Force (RF) min:</b>	12g
<b>Pretravel (PT) max:</b>	2.8 mm
<b>Overtravel (OT) min:</b>	1.4 mm
<b>Movement Differential (MD) max:</b>	0.8 mm
<b>Free Position (FP) max:</b>	11.9 mm
<b>Operating position (OP):</b>	8.8±0.8 mm



### SS □□02A

<b>Operating Force (OF) max:</b>	38g
<b>Releasing Force (RF) min:</b>	12g
<b>Pretravel (PT) max:</b>	3.1 mm
<b>Overtravel (OT) min:</b>	1.4 mm
<b>Movement Differential (MD) max:</b>	0.8 mm
<b>Free Position (FP) max:</b>	11.9 mm
<b>Operating position (OP):</b>	8.8±0.8 mm

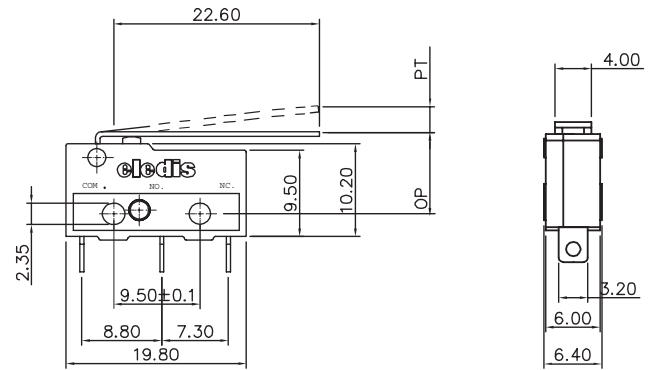




## SERIES SS

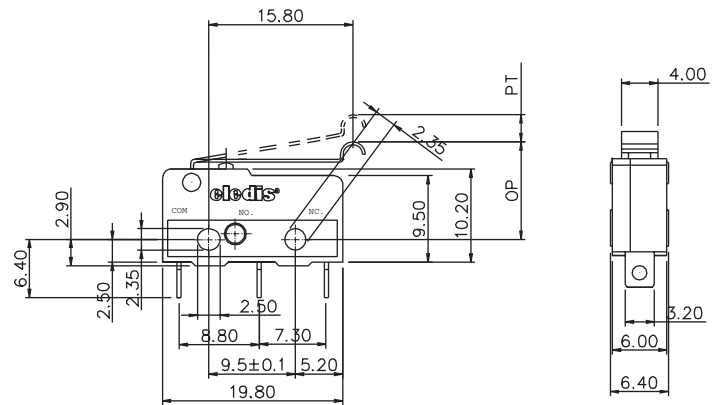
### SS □□ 03A

<b>Operating Force (OF) max:</b>	30g
<b>Releasing Force (RF) min:</b>	12g
<b>Pretravel (PT) max:</b>	4.2 mm
<b>Overtravel (OT) min:</b>	1.6 mm
<b>Movement Differential (MD) max:</b>	1 mm
<b>Free Position (FP) max:</b>	13.3 mm
<b>Operating position (OP):</b>	8.8±1.2 mm



### SS □□ 04A

<b>Operating Force (OF) max:</b>	45g
<b>Releasing Force (RF) min:</b>	12g
<b>Pretravel (PT) max:</b>	3 mm
<b>Overtravel (OT) min:</b>	1.4 mm
<b>Movement Differential (MD) max:</b>	0.8 mm
<b>Free Position (FP) max:</b>	14 mm
<b>Operating position (OP):</b>	10.7±0.8 mm



### SS □□ 05A

<b>Operating Force (OF) max:</b>	45g
<b>Releasing Force (RF) min:</b>	12g
<b>Pretravel (PT) max:</b>	2.8 mm
<b>Overtravel (OT) min:</b>	1.4 mm
<b>Movement Differential (MD) max:</b>	0.8 mm
<b>Free Position (FP) max:</b>	17.6 mm
<b>Operating position (OP):</b>	14.5±0.8 mm

