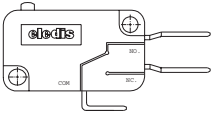




## SERIES VS

- Micro switches single pole:



## AGENCY APPROVALS

File N° E195524

File N° E195524

## SPECIFICATIONS

**Contact Resistance:** 15 mΩ max. initial  
**Insulation Resistance:** 100 MΩ min. @ 500VDC  
**Electrical life:** 100,000 operations min. full load  
**Mechanical life:** 10,000,000 operations min.

## MATERIALS

**Housing:** PBT  
**Contacts:** AgCdO  
**Terminal:** COPPER  
**Spring:** SWPB

## TEST SPECIFICATIONS

**Dielectric strength:** between terminals of same polarity AC 1,000V (50/60Hz 1 min.).  
 Between each terminal and non-current-carrying rind parts AC2000V (50/60Hz 1 min.)  
**Ambient temperature:** -20~+85°C

## HOW TO ORDER

V S

SERIES

1 0

RATING

10 10A; 125/250VAC

N

COVER MATERIAL

N PBT

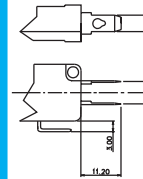
CONTACT

1 1NC & 1NO

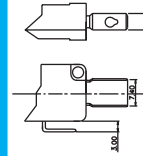
2 1NC

3 1NO

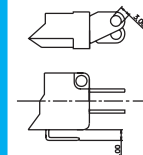
TERMINAL



**C2** 4.8#0.5  
quick-connect terminal



**C** 6.4#0.8  
quick-connect terminal

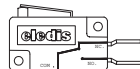


**A** solder terminal

ACTUATOR TYPE



00



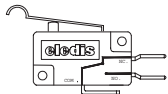
01



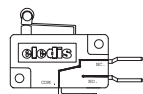
02



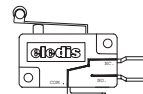
03



04



05



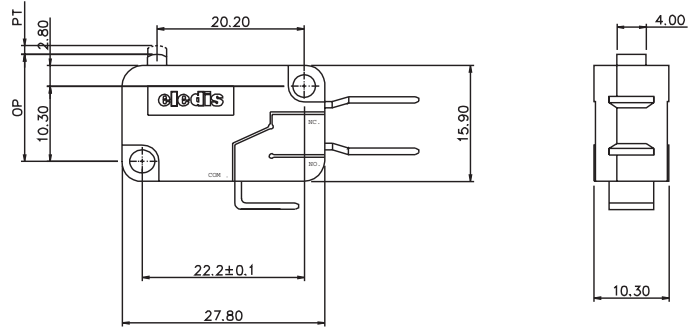
06



## SERIES VS

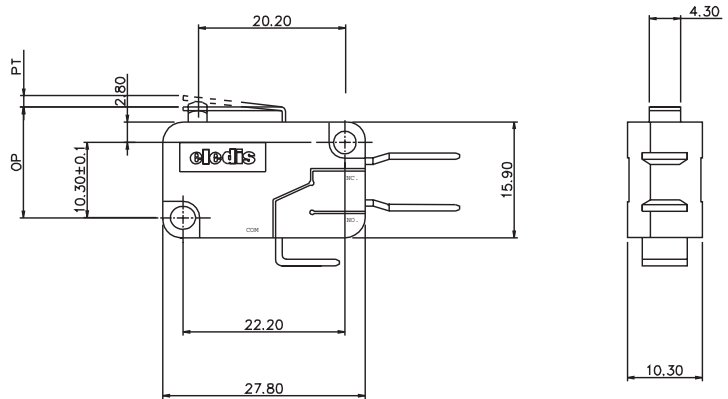
### VS □ □ N001C

<b>Operating Force (OF) max:</b>	230g
<b>Releasing Force (RF) min:</b>	56g
<b>Pretravel (PT) max:</b>	1.6 mm
<b>Overtravel (OT) min:</b>	0.8 mm
<b>Movement Differential (MD) max:</b>	0.4 mm
<b>Operating position (OP):</b>	14.7±0.4 mm



### VS □ □ N011C

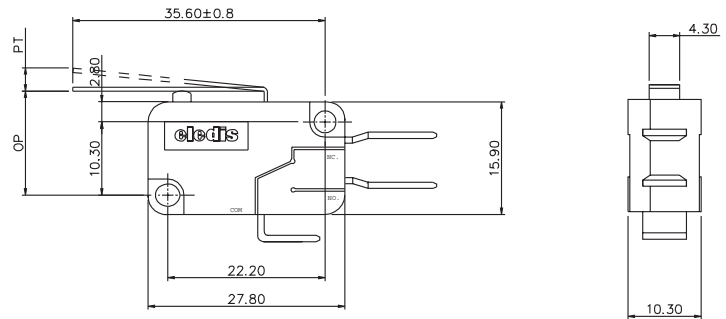
<b>Operating Force (OF) max:</b>	230g
<b>Releasing Force (RF) min:</b>	45g
<b>Pretravel (PT) max:</b>	1.9 mm
<b>Overtravel (OT) min:</b>	0.6 mm
<b>Movement Differential (MD) max:</b>	0.5 mm
<b>Operating position (OP):</b>	15.2±0.5 mm



## SERIES VS

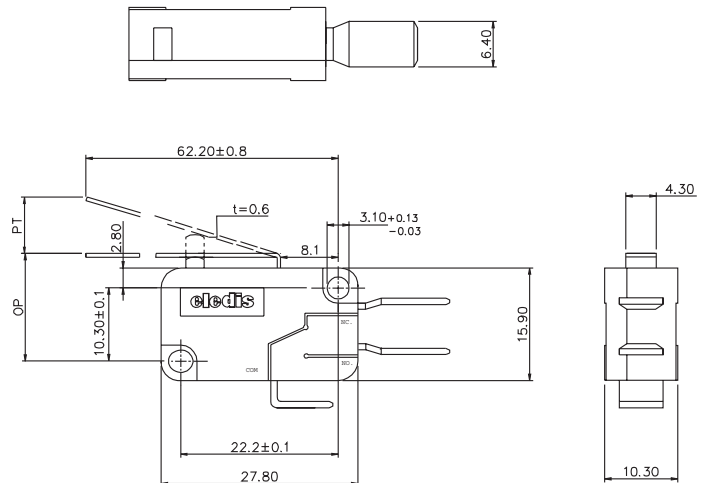
### VS □□ N021C

<b>Operating Force (OF) max:</b>	115g
<b>Releasing Force (RF) min:</b>	14g
<b>Pretravel (PT) max:</b>	3.7 mm
<b>Overtravel (OT) min:</b>	1.6 mm
<b>Movement Differential (MD) max:</b>	1.2 mm
<b>Operating position (OP):</b>	15.2±1.2 mm



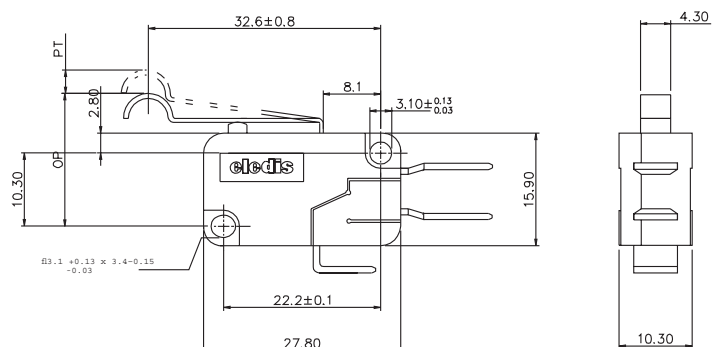
### VS □□ N031C

<b>Operating Force (OF) max:</b>	60g
<b>Releasing Force (RF) min:</b>	7g
<b>Pretravel (PT) max:</b>	8 mm
<b>Overtravel (OT) min:</b>	3 mm
<b>Movement Differential (MD) max:</b>	2.2 mm
<b>Operating position (OP):</b>	15.2±2.6 mm



### VS □□ N041C

<b>Operating Force (OF) max:</b>	115g
<b>Releasing Force (RF) min:</b>	14g
<b>Pretravel (PT) max:</b>	3.7 mm
<b>Overtravel (OT) min:</b>	1.6 mm
<b>Movement Differential (MD) max:</b>	1.2 mm
<b>Operating position (OP):</b>	18.7±1.2 mm

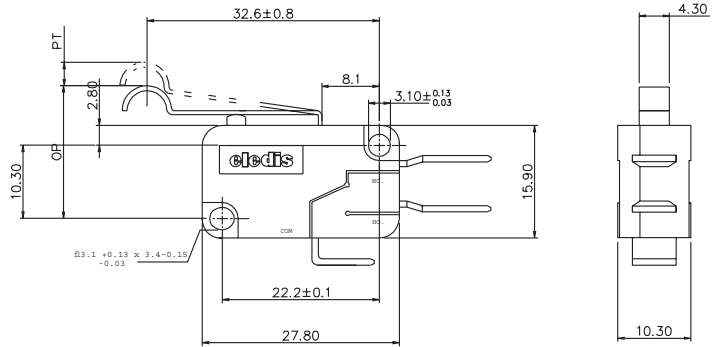




## SERIES VS

### VS □□ N051C

<b>Operating Force (OF) max:</b>	230g
<b>Releasing Force (RF) min:</b>	45g
<b>Pretravel (PT) max:</b>	1.9 mm
<b>Overtravel (OT) min:</b>	0.6 mm
<b>Movement Differential (MD) max:</b>	0.5 mm
<b>Operating position (OP):</b>	20.7±0.6 mm



### VS □□ N061C

<b>Operating Force (OF) max:</b>	115g
<b>Releasing Force (RF) min:</b>	14g
<b>Pretravel (PT) max:</b>	3.7 mm
<b>Overtravel (OT) min:</b>	1.6 mm
<b>Movement Differential (MD) max:</b>	1.2 mm
<b>Operating position (OP):</b>	20.7±1.2 mm

